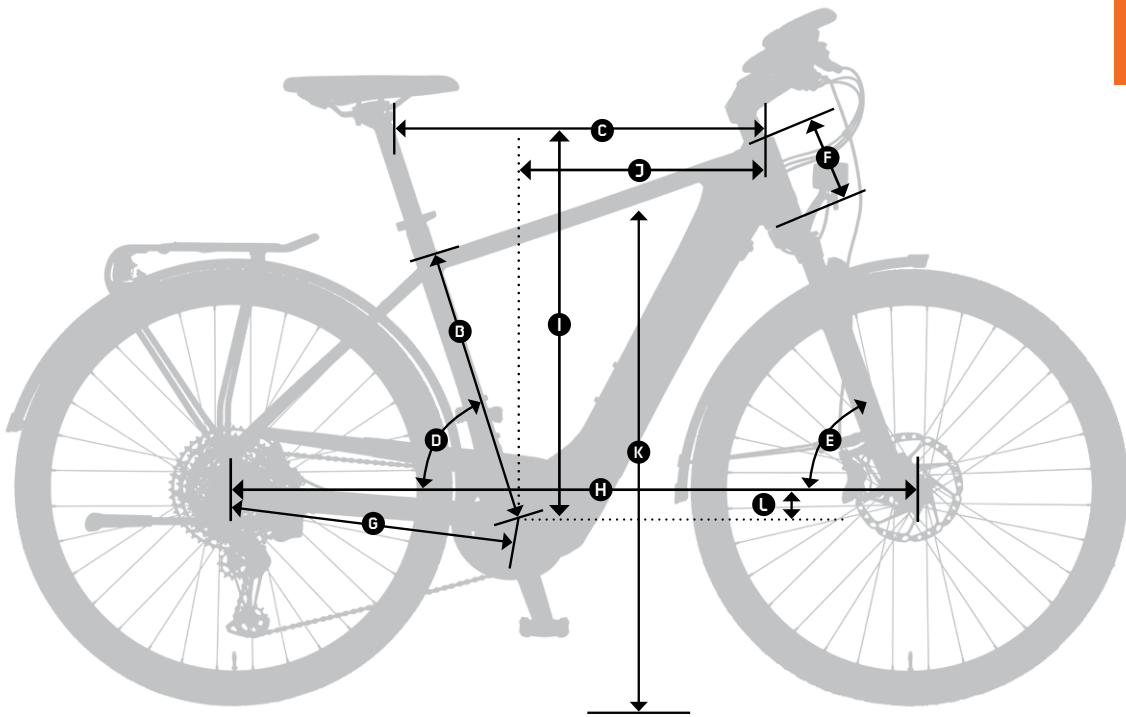


MACINA RACE 29"

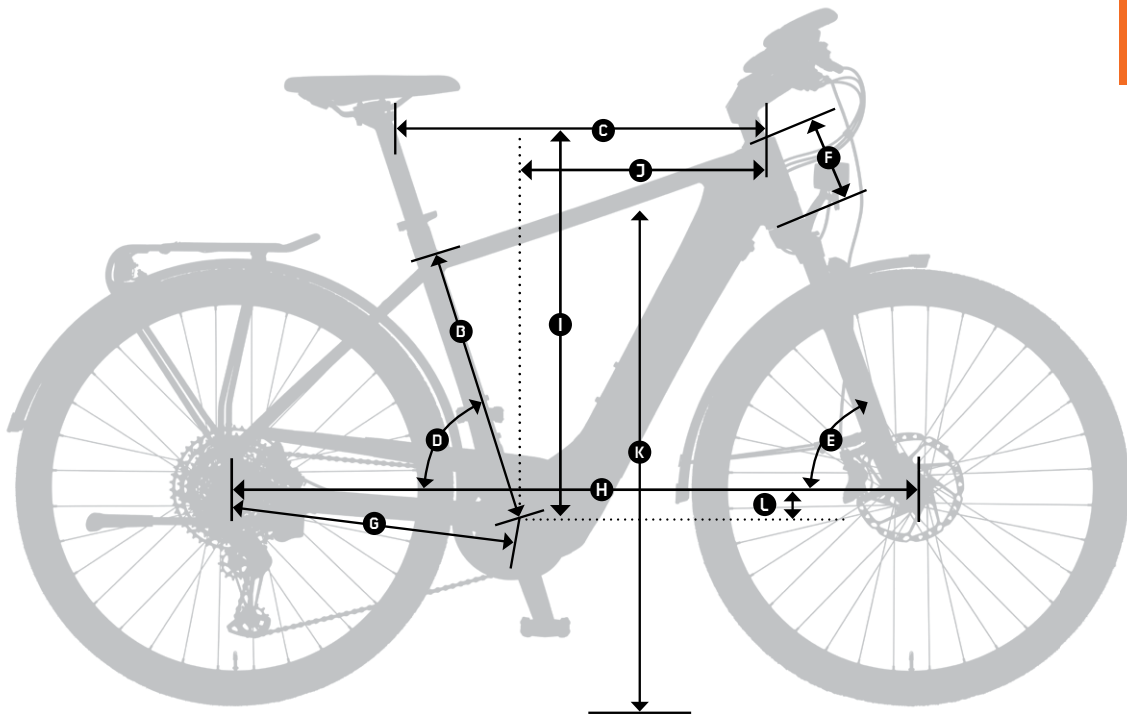
2021



	M	L	XL
A Size Size in cm	17 43	19 48	21 53
B Seattube length	430	480	530
C Tootube length	585	605	625
D Seat angle	73,0°	73,0°	73,0°
E Head angle	70,5°	71,0°	71,0°
F Headtube length	120	125	137
G Chainstay length	465	465	465
H Wheelbase	1096	1111	1131
I Stack	618	625	636
J Reach	396	414	431
K Standover height	745	761	792
L BB drop	62	62	62

MACINA RACE 27"

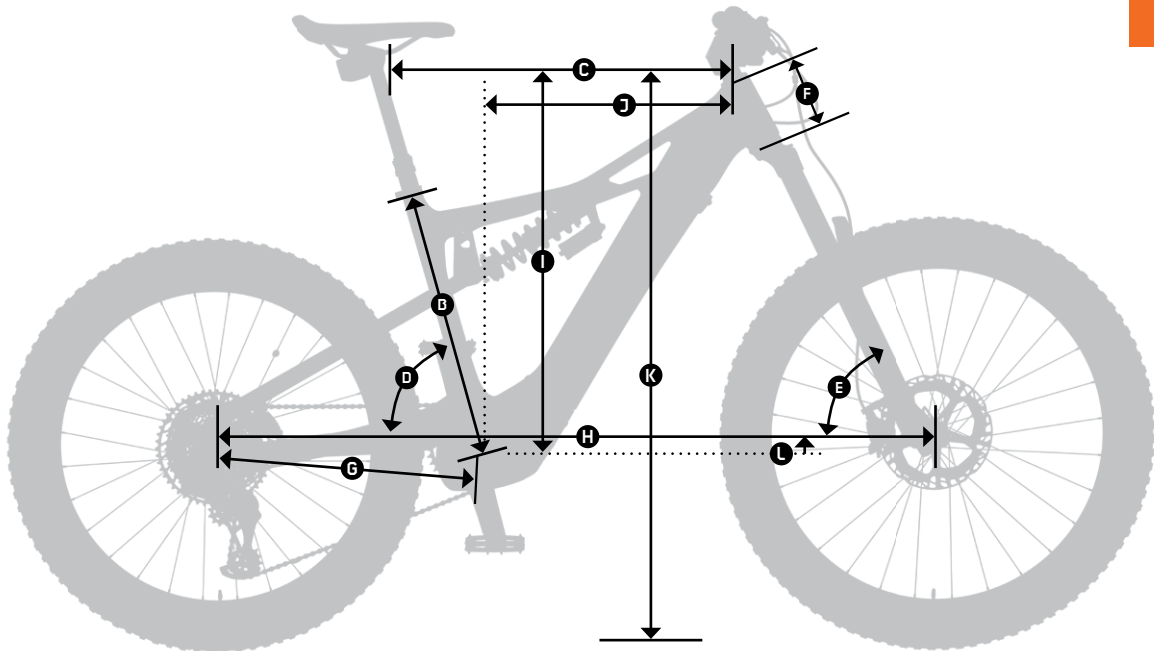
2021



	S	M	L
A Size Size in cm	15 38	17 43	19 48
B Seattube length	400	430	480
C Toptube length	570	575	595
D Seat angle	73,0°	73,0°	73,0°
E Head angle	69,5°	70,0°	70,0°
F Headtube length	120	125	137
G Chainstay length	445	445	445
H Wheelbase	1078	1078	1098
I Stack	588	595	607
J Reach	390	393	410
K Standover height	732	736	752
L BB drop	47	47	47

MACINA RACE 29"

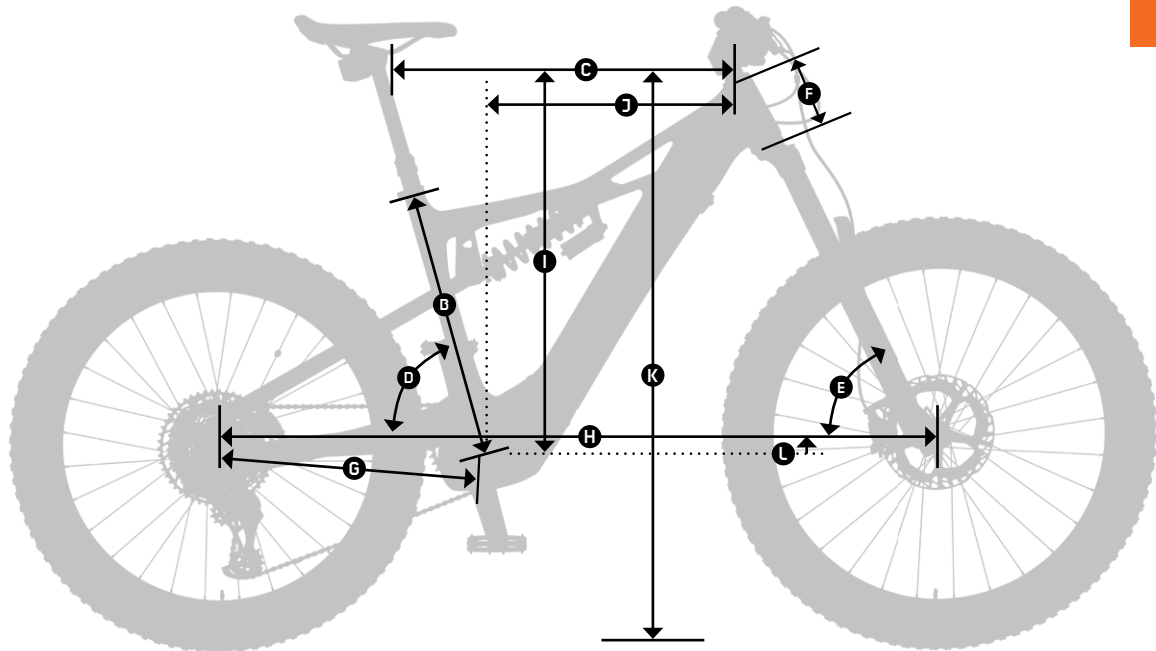
2020



	Size	S	M	L
A	Size in inch Size in cm	17 43	19 48	21 53
B	Seattube length	430	480	530
C	Toptube length	589	607	625
D	Seat angle	73,0°	73,0°	73,0°
E	Head angle	70,5°	71,0°	71,0°
F	Headtube length	120	125	137
G	Chainstay length	465	465	465
H	Wheelbase	1100	1112	1132
I	Stack	618	625	636
J	Reach	400	416	431
K	Standover height	745	761	792
L	BB drop	62	62	62

MACINA RACE 27"

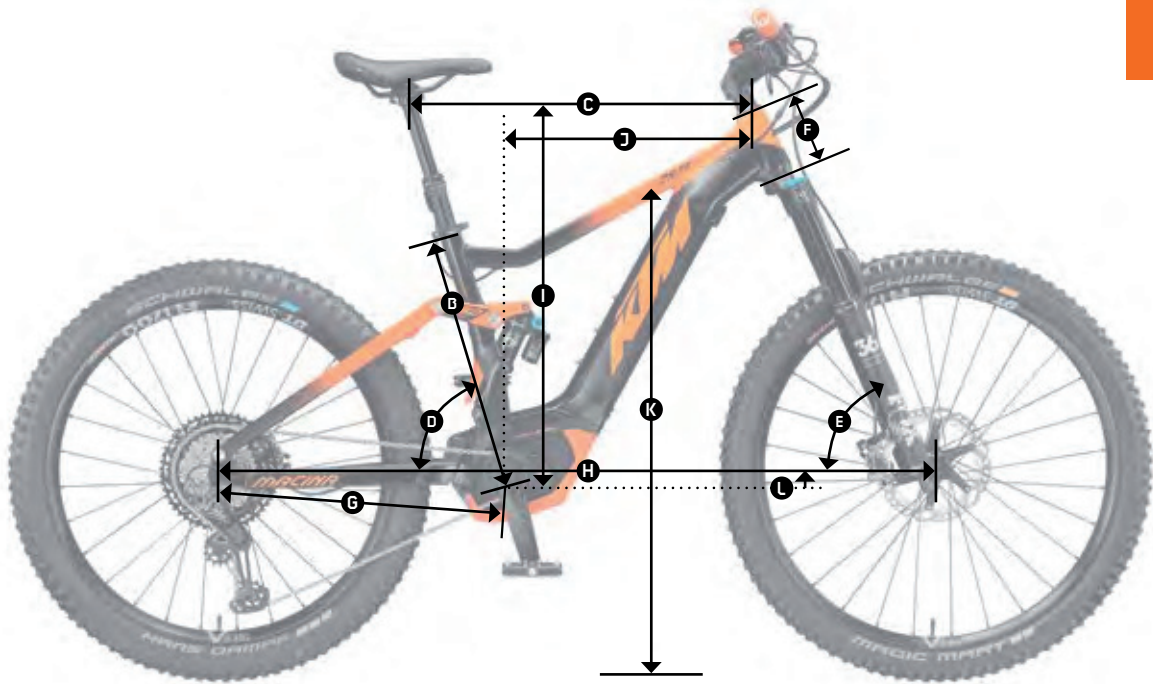
2020



	XS	S	M
A Size			
Size in inch	15	17	19
Size in cm	38	43	48
B Seattube length	400	430	480
C Toptube length	568	575	594
D Seat angle	73,0°	73,0°	73,0°
E Head angle	69,0°	70,0°	70,0°
F Headtube length	125	125	137
G Chainstay length	445	445	445
H Wheelbase	1075	1077	1097
I Stack	588	595	607
J Reach	388	393	408
K Standover height	732	736	752
L BB drop	47	47	47

MACINA RACE 27"

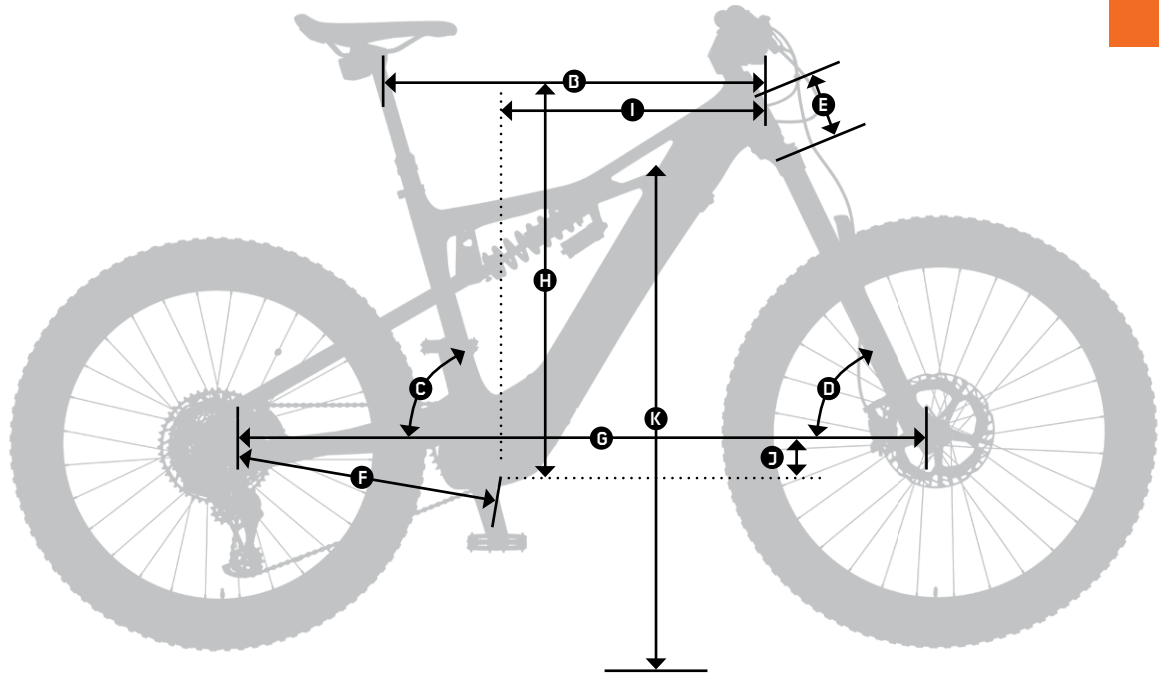
2019



	XS	S	M
A Size			
Size in inch	15	17	19
Size in cm	38	43	48
B Seattube length	400	430	480
C Tootube length	557	575	594
D Seat angle	73,0°	73,0°	73,0°
E Head angle	69,0°	70,0°	70,0°
F Headtube length	120	125	137
G Chainstay length	460	460	460
H Wheelbase	1091	1109	1129
I Stack	586	595	607
J Reach	377	393	408
K Standover height	734	734	753
L BB drop	47	47	47

MACINA RACE 292

2018



A	Size in inch Size in cm	15 38	17 43	19 48	21 53	22.5 57
B	Top tube length	569	589	605	625	643
C	Seat angle	73,0°	73,0°	73,0°	73,0°	73,0°
D	Head angle	70,5°	70,5°	71,0°	71,0°	71,0°
E	Headtube length	120	120	125	137	150
F	Chainstay length	477	477	477	477	477
G	Wheelbase	1092	1112	1125	1144	1162
H	Stack	594	602	607	618	630
I	Reach	388	406	422	437	451
J	BB drop	752	744	761	791	917
K	Standover height	62	62	62	62	62