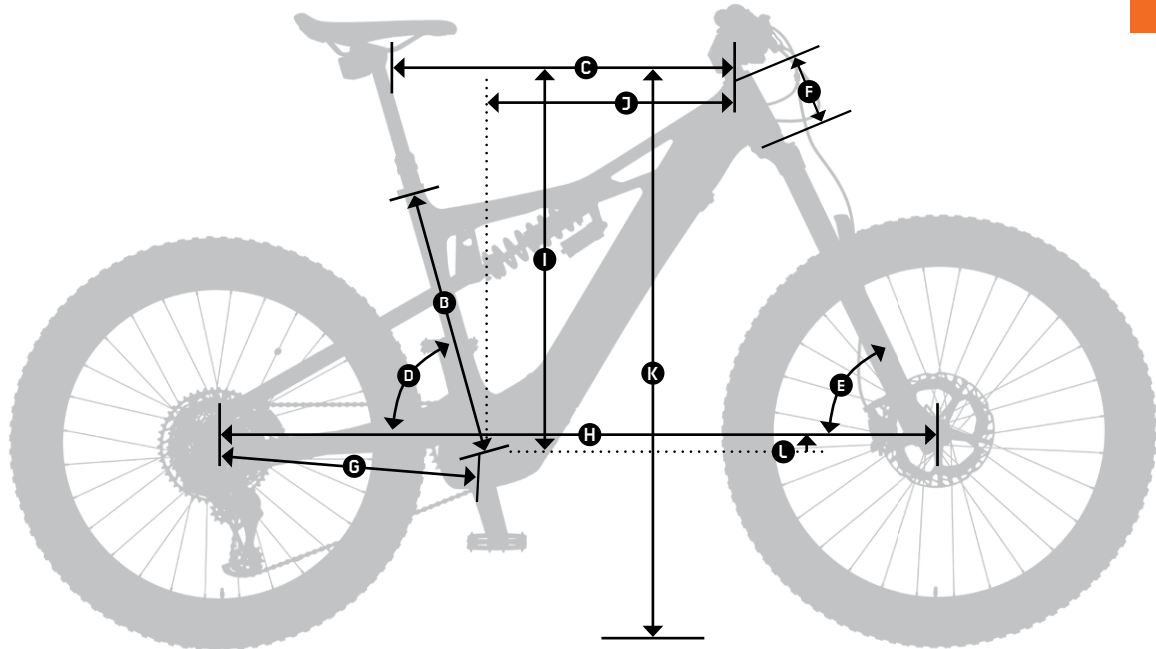


MACINA KAPOHO PRESTIGE & MASTER & ELITE DIMMIX

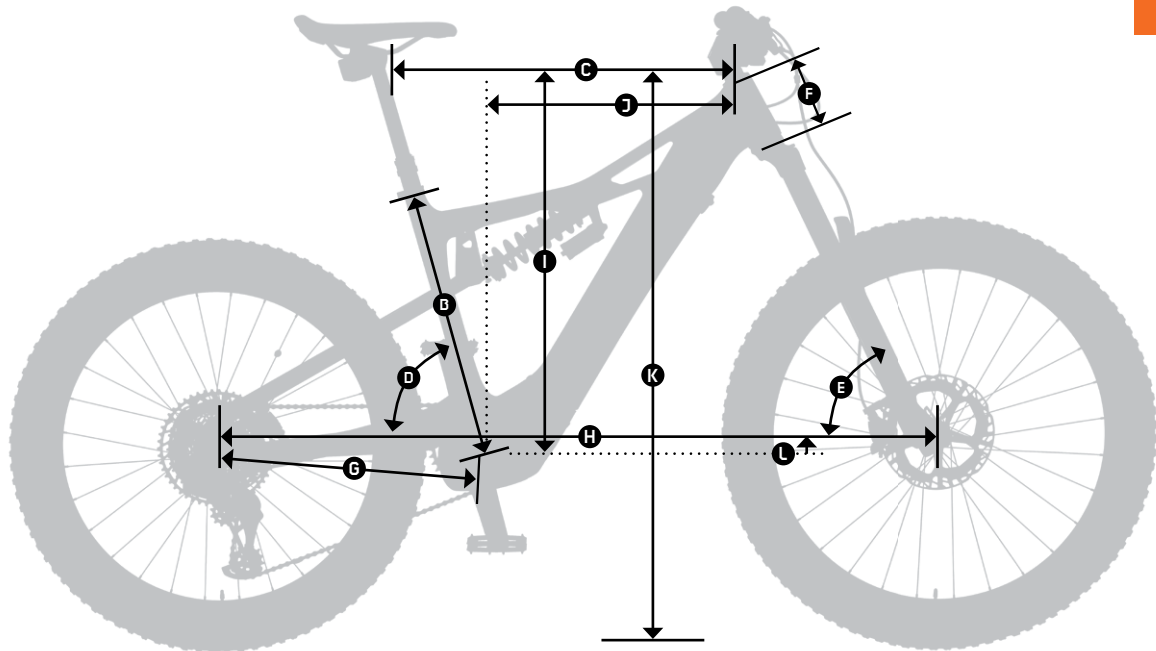
2021



	Size	M	L	XL
A	Size in inch	17	19	21
	Size in cm	43	48	53
B	Seattube length	430	450	480
C	Toptube length	589	609	639
D	Seat angle	76,8° (74,9°)	76,8° (74,8°)	76,8° (74,8°)
E	Head angle	65,3°	65,3°	65,3°
F	Headtube length	100	110	125
G	Chainstay length	442	442	442
H	Wheelbase	1216	1238	1271
I	Stack	605	614	627
J	Reach	447	465	492
K	Standover height	796	798	805
L	BB drop	9	9	9

MACINA KAPOHO 2971 & 2972 & 2973 DIMMIX

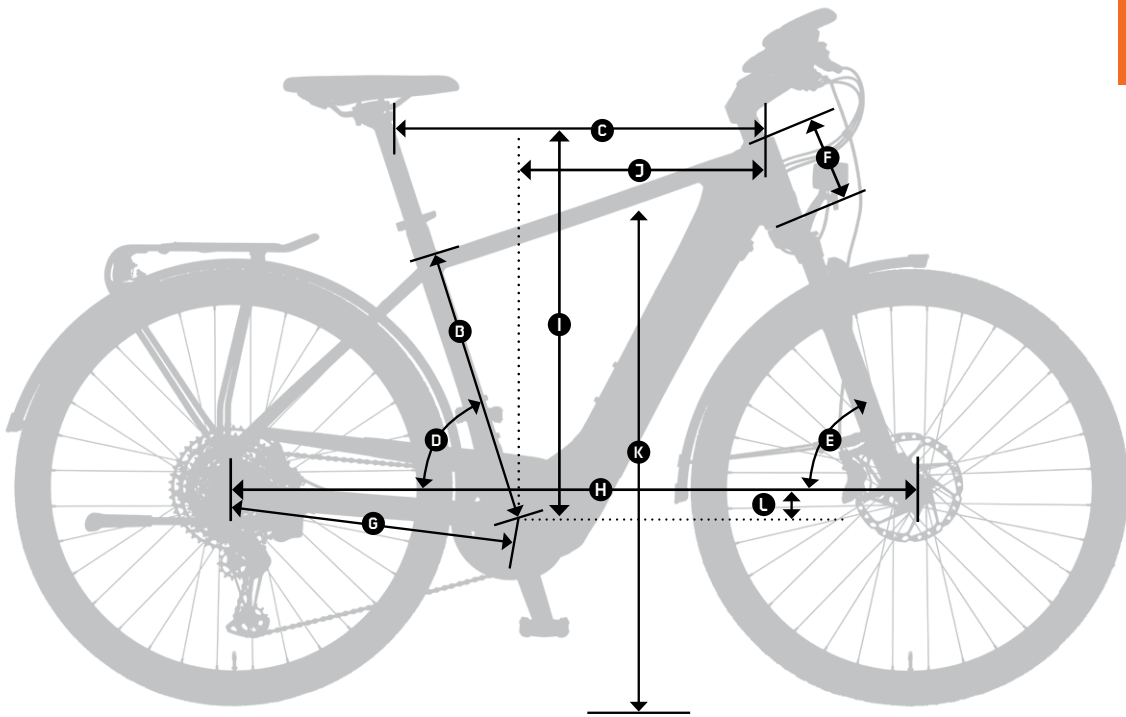
2021



	M	L	XL
A Size			
Size in inch	17	19	21
Size in cm	43	48	53
B Seattube length	430	450	480
C Tootube length	590	610	640
D Seat angle	76,5° (74,6°)	76,5° (74,5°)	76,5° (74,4°)
E Head angle	66,0°	66,0°	66,0°
F Headtube length	100	110	125
G Chainstay length	442	442	442
H Wheelbase	1206	1228	1261
I Stack	607	616	630
J Reach	444	462	489
K Standover height	804	807	812
L BB drop	7	7	7

MACINA KAPOHO LTD

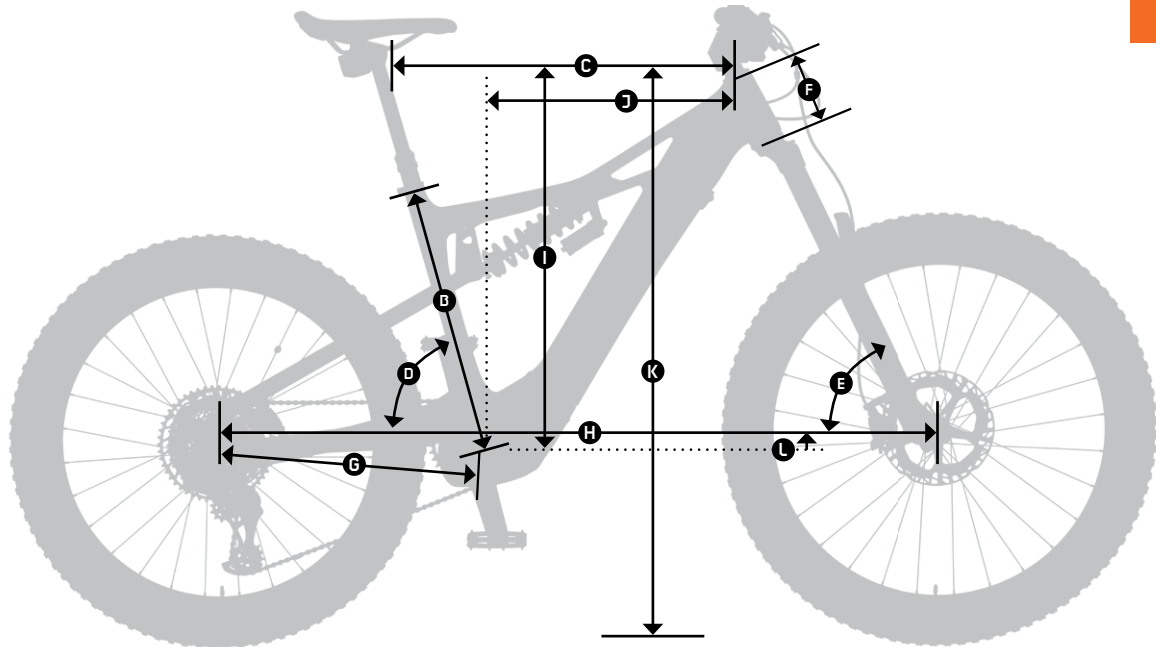
2021



	S	M	L	XL
A Size	16	17	19	21
Size in cm	41	43	48	53
B Seattube length	410	430	480	530
C Toptube length	565	585	605	625
D Seat angle	74,0°	74,0°	74,0°	74,0°
E Head angle	66,0°	66,0°	66,0°	66,0°
F Headtube length	120	120	125	137
G Chainstay length	495	495	495	495
H Wheelbase	1210	1230	1251	1273
I Stack	623	624	628	635
J Reach	389	409	428	448
K Standover height	831	831	852	880
L BB drop	7	7	7	7

MACINA KAPOHO PRESTIGE / MASTER

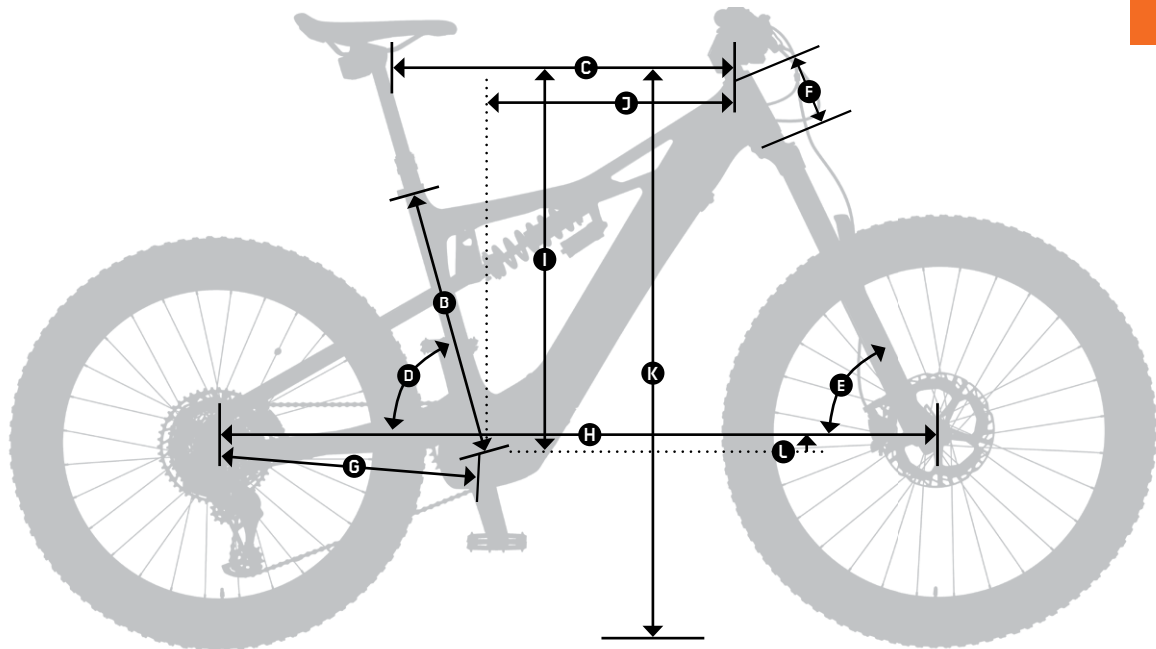
2020



	Size	S	M	L
A	Size in inch	17	19	21
	Size in cm	43	48	53
B	Seattube length	430	450	480
C	Toptube length	589	609	639
D	Seat angle	76,8° (74,9°)	76,8° (74,8°)	76,8° (74,8°)
E	Head angle	65,3°	65,3°	65,3°
F	Headtube length	100	110	125
G	Chainstay length	442	442	442
H	Wheelbase	1216	1238	1271
I	Stack	605	614	627
J	Reach	447	465	492
K	Standover height	796	798	805
L	BB drop	9	9	9

MACINA KAPOHO 2971 / 2972 / 2973

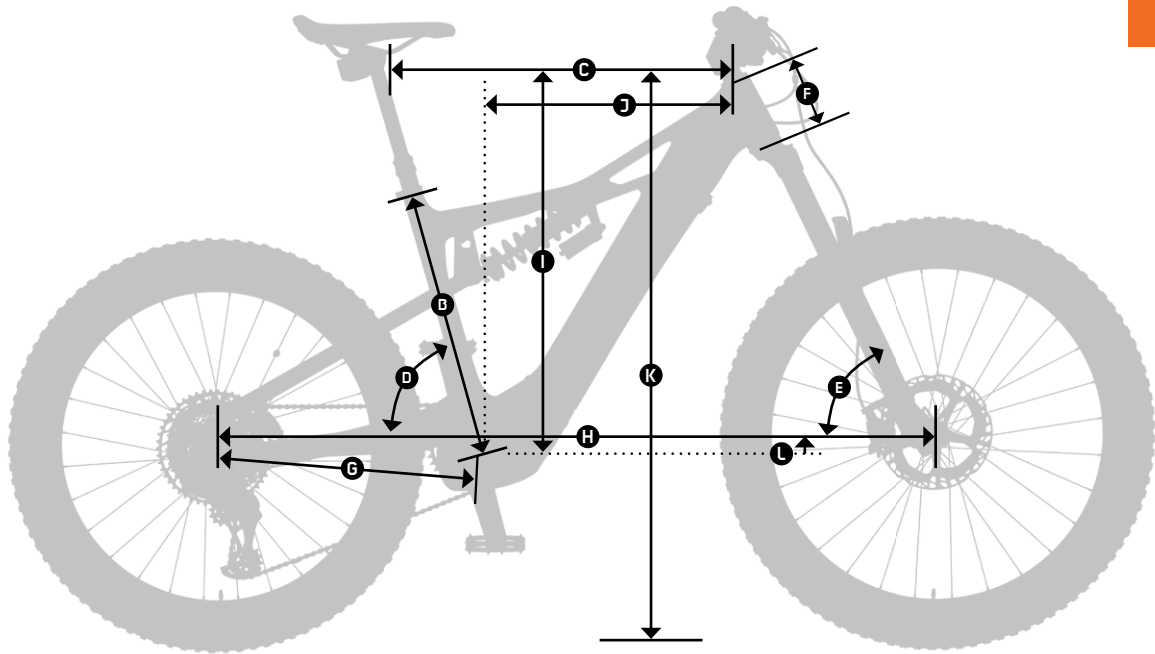
2020



	Size	S	M	L
A	Size in inch	17	19	21
	Size in cm	43	48	53
B	Seattube length	430	450	480
C	Toptube length	590	610	640
D	Seat angle	76,5° (74,6°)	76,5° (74,5°)	76,5° (74,4°)
E	Head angle	66,0°	66,0°	66,0°
F	Headtube length	100	110	125
G	Chainstay length	442	442	442
H	Wheelbase	1206	1228	1261
I	Stack	607	616	630
J	Reach	444	462	489
K	Standover height	804	807	812
L	BB drop	7	7	7

MACINA KAPOHO LTD

2020



	XS	S	M	L
A Size				
Size in inch	16	17	19	21
Size in cm	41	43	48	53
B Seattube length	410	430	480	530
C Tootube length	565	585	605	625
D Seat angle	74,0°	74,0°	74,0°	74,0°
E Head angle	66,0°	66,0°	66,0°	66,0°
F Headtube length	120	120	125	137
G Chainstay length	495	495	495	495
H Wheelbase	1210	1230	1251	1273
I Stack	623	624	628	635
J Reach	389	409	428	448
K Standover height	831	831	852	880
L BB drop	7	7	7	7