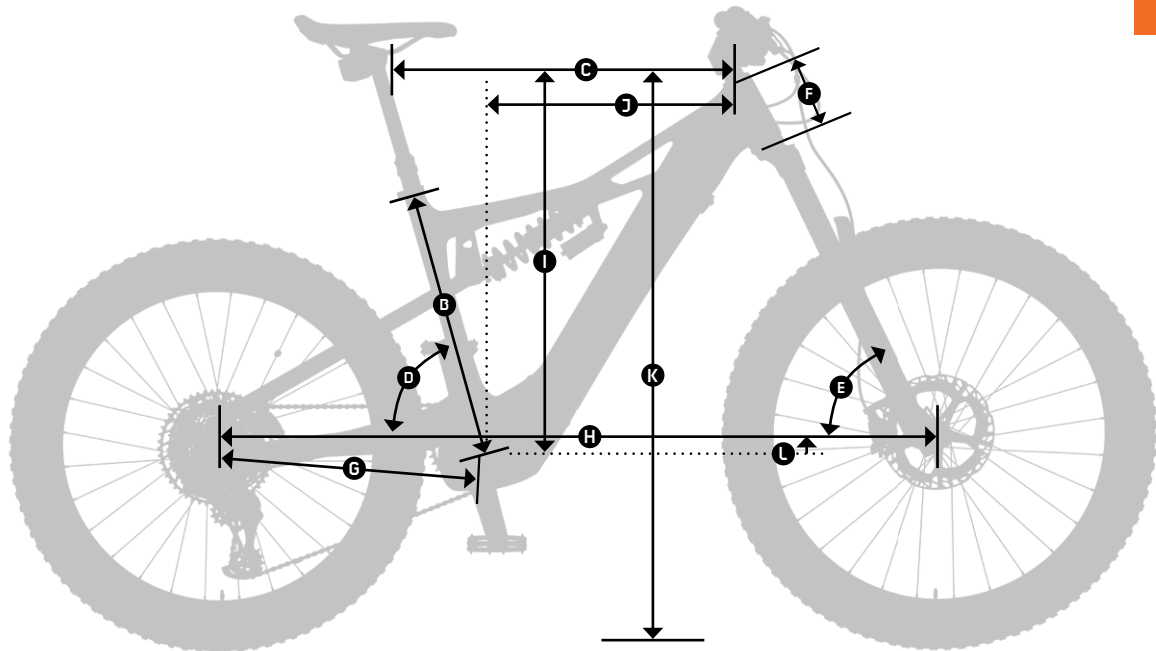


MACINA PROWLER

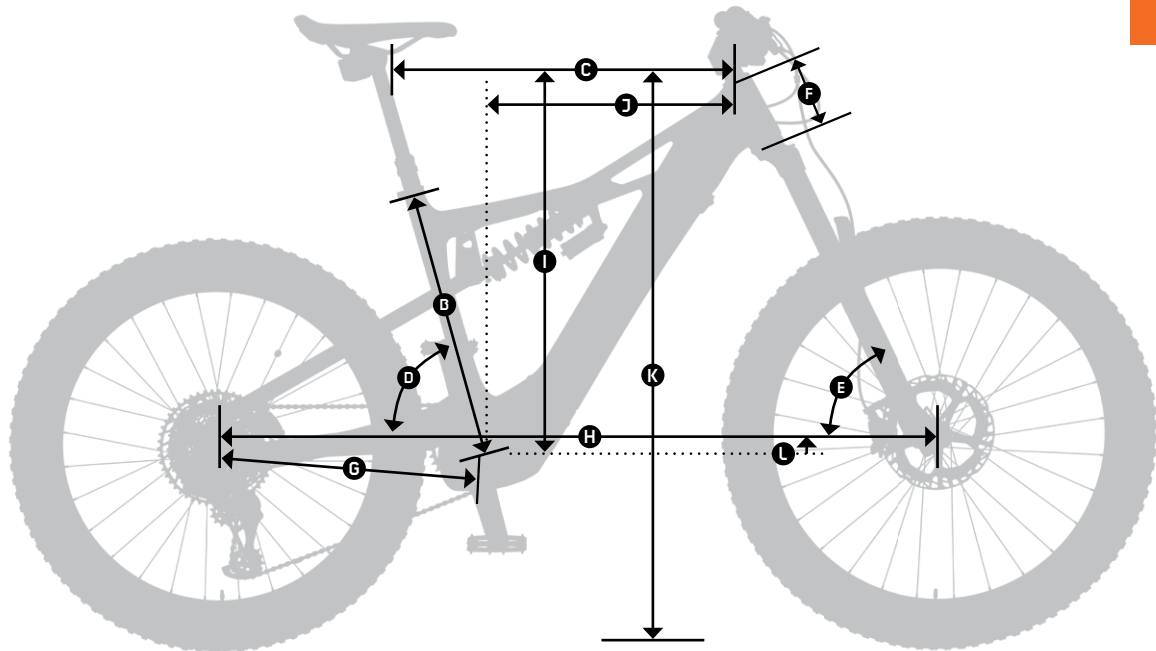
2021



	M	L	XL
A Size			
Size in inch	17	19	21
Size in cm	43	48	53
B Seattube length	430	450	480
C Tootube length	590	610	640
D Seat angle	76,5° (74,6°)	76,5° (74,5°)	76,5° (74,4°)
E Head angle	65°	65°	65°
F Headtube length	100	110	125
G Chainstay length	442	442	442
H Wheelbase	1220	1242	1275
I Stack	607	616	630
J Reach	444	462	489
K Standover height	801	804	808
L BB drop	4	4	4

MACINA PROWLER

2020



A	Size	S	M	L
	Size in inch	17	19	21
	Size in cm	43	48	53
B	Seattube length	430	450	480
C	Toptube length	590	610	640
D	Seat angle	76,5° (74,6°)	76,5° (74,5°)	76,5° (74,4°)
E	Head angle	65°	65°	65°
F	Headtube length	100	110	125
G	Chainstay length	442	442	442
H	Wheelbase	1220	1242	1275
I	Stack	607	616	630
J	Reach	444	462	489
K	Standover height	801	804	808
L	BB drop	4	4	4