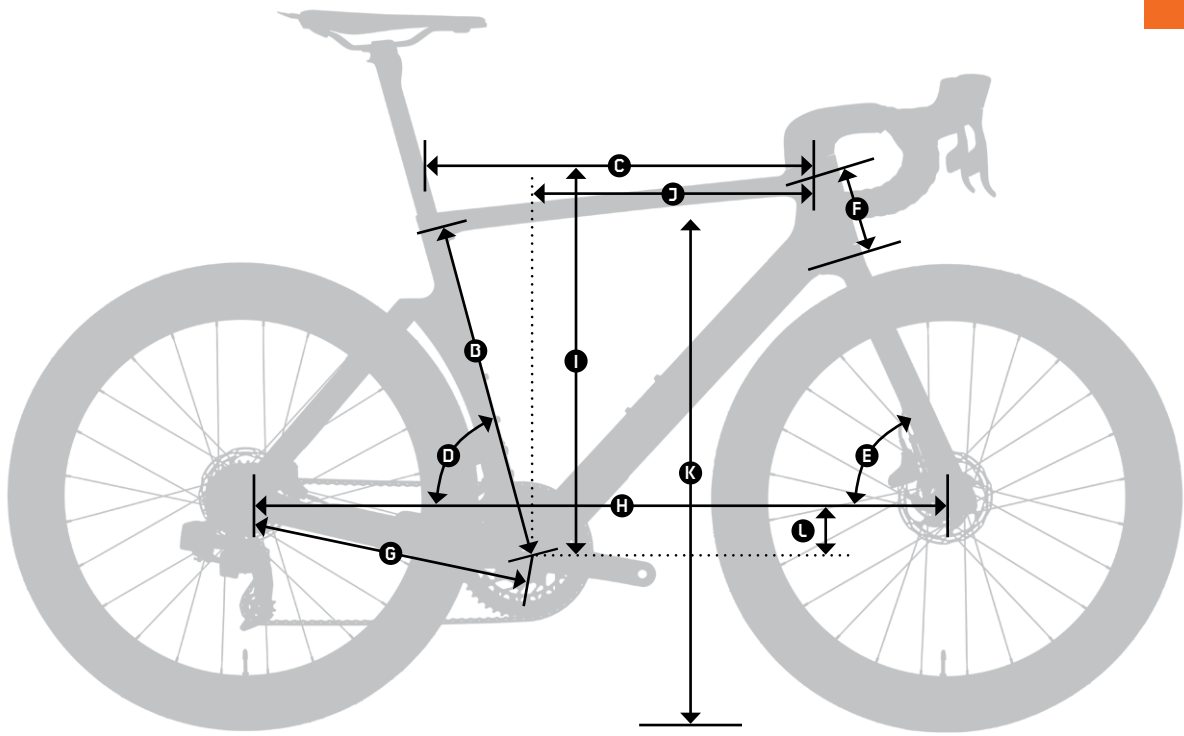


X-STRADA 710 & 720 & LFC & 730 FIT

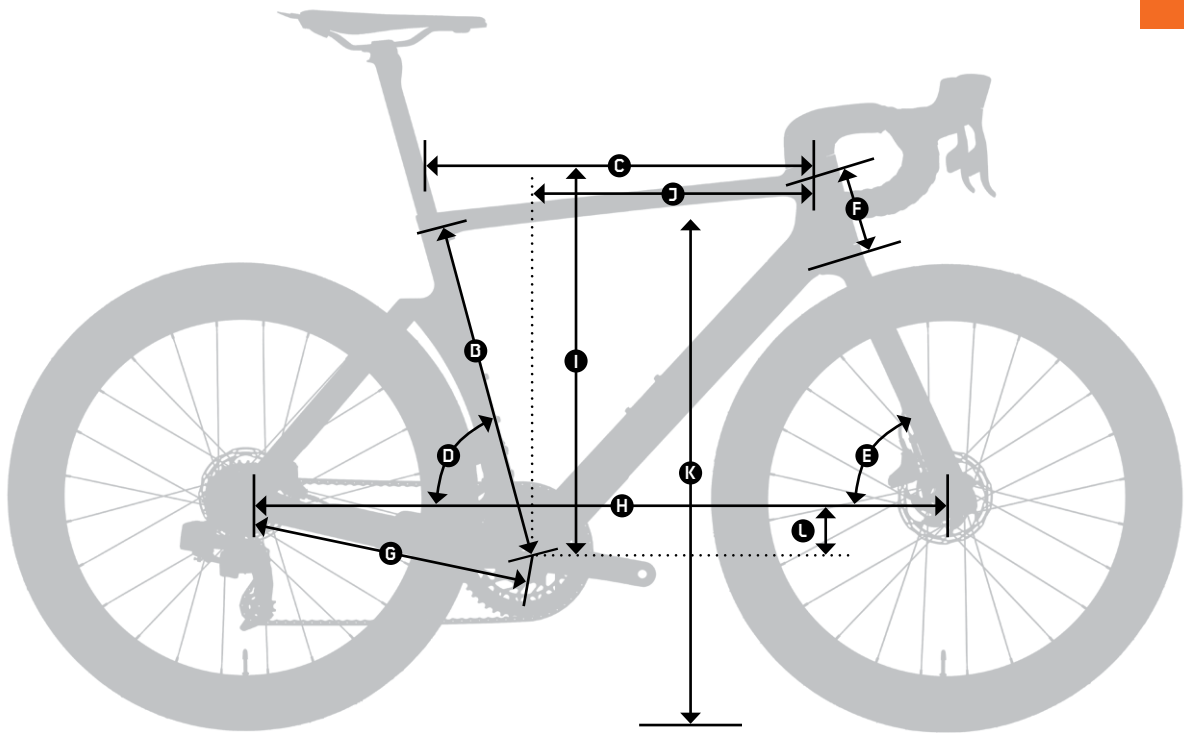
2021



	XS	S	M	L	XL
A Size	19,5	20,5	21,5	22,5	23,0
Size in inch					
Size in cm	49	52	55	57	59
B Seattube length	490	520	550	570	590
C Tootube length	530	540	560	580	600
D Seat angle	75°	75°	74,5°	74°	73,5°
E Head angle	69°	70°	71°	71°	71°
F Headtube length	95	100	115	130	145
G Chainstay length	430	430	430	430	425
H Wheelbase	1038	1039	1044	1061	1076
I Stack	566	575	593	605	618
J Reach	378	386	396	406	417
K Standover height	773	788	806	821	831
L BB drop	72	72	72	70	68

X-STRADA MASTER

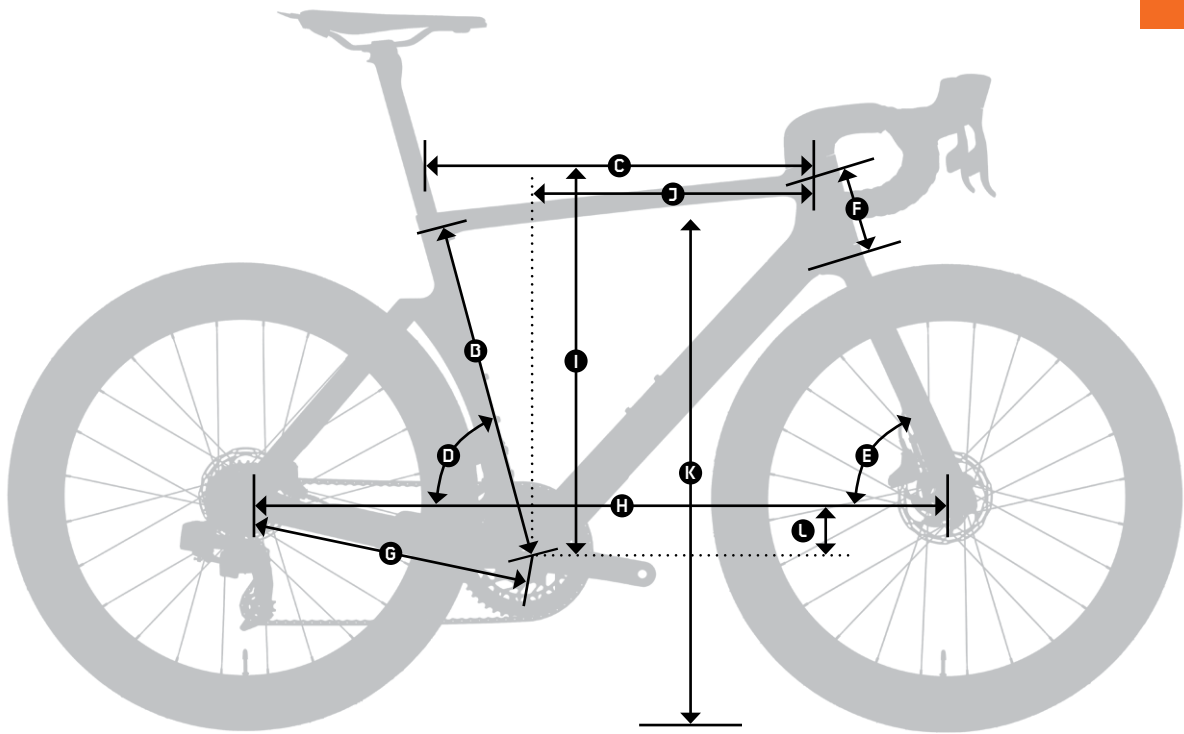
2021



	Size	S	M	L
A	Size in inch Size in cm	20,5 52	21,5 55	22,5 57
B	Seattube length	470	500	520
C	Toptube length	530	550	563
D	Seat angle	75°	74,5°	74°
E	Head angle	71,5°	71,5°	72°
F	Headtube length	145	160	170
G	Chainstay length	425	425	425
H	Wheelbase	1007	1023	1027
I	Stack	558	572	582
J	Reach	380	391	396
K	Standover height	785	805	821
L	BB drop	72	72	70

STRADA 1000

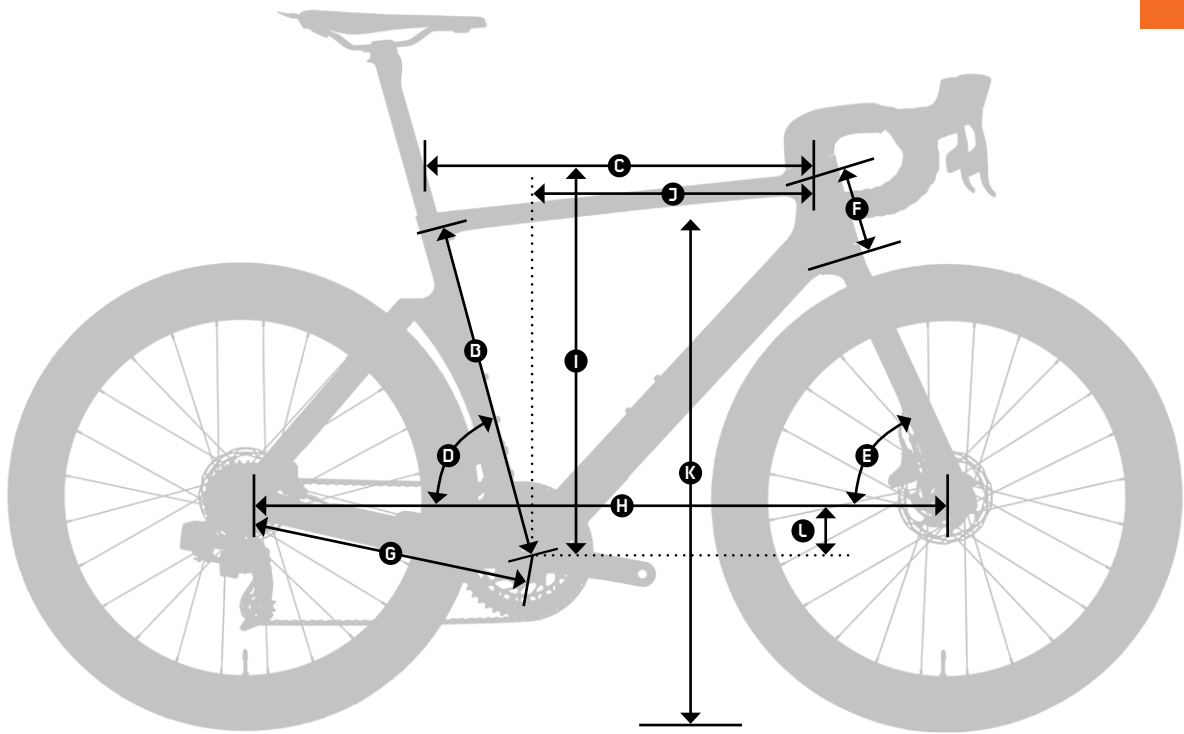
2020



Size	XS	S	M	L	XL
A Size in inch	19,5	20,5	21,5	22,5	23,0
Size in cm	49	52	55	57	59
B Seattube length	490	520	550	570	590
C Toptube length	509	529	550	561	572
D Seat angle	75,0°	75,0°	74,5°	73,5°	73,5°
E Head angle	72,0°	72,5°	72,5°	73,0°	73,0°
F Headtube length	130	145	160	175	200
G Chainstay length	410	410	410	412	412
H Wheelbase	965	981	997	996	1008
I Stack	534	551	565	580	601
J Reach	366	381	393	389	394
K Standover height	734	757	779	796	819
L BB drop	72	72	72	70	68

X-STRADA MAN

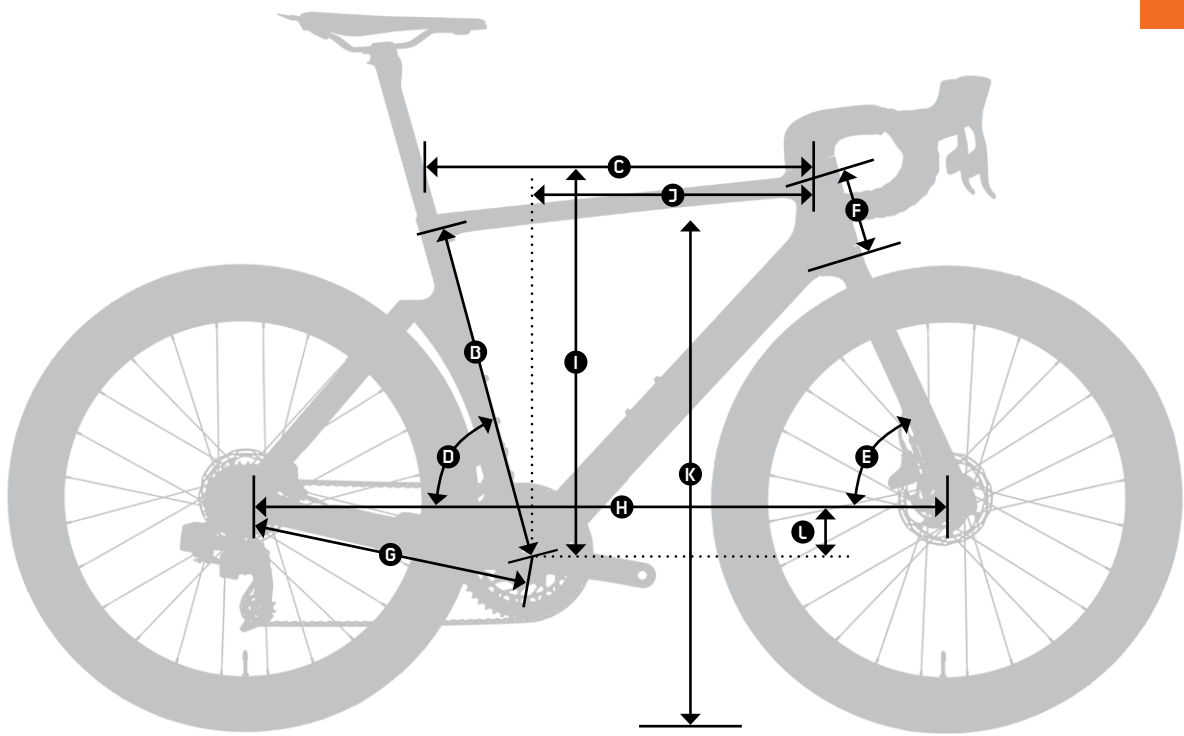
2020



	XS	S	M	L	XL
A Size Size in inch Size in cm	19,5 49	20,5 52	21,5 55	22,5 57	23,0 59
B Seattube length	490	520	550	570	590
C Tootube length	509	529	550	561	572
D Seat angle	75,0°	75,0°	74,5°	74,0°	73,5°
E Head angle	71,0°	71,5°	71,5°	72,0°	72,0°
F Headtube length	95	100	115	130	145
G Chainstay length	430	430	430	430	425
H Wheelbase	998	1013	1029	1030	1038
I Stack	574	581	595	609	622
J Reach	355	373	385	385	388
K Standover height	773	788	806	821	831
L BB drop	72	72	72	70	68

X-STRADA LADY

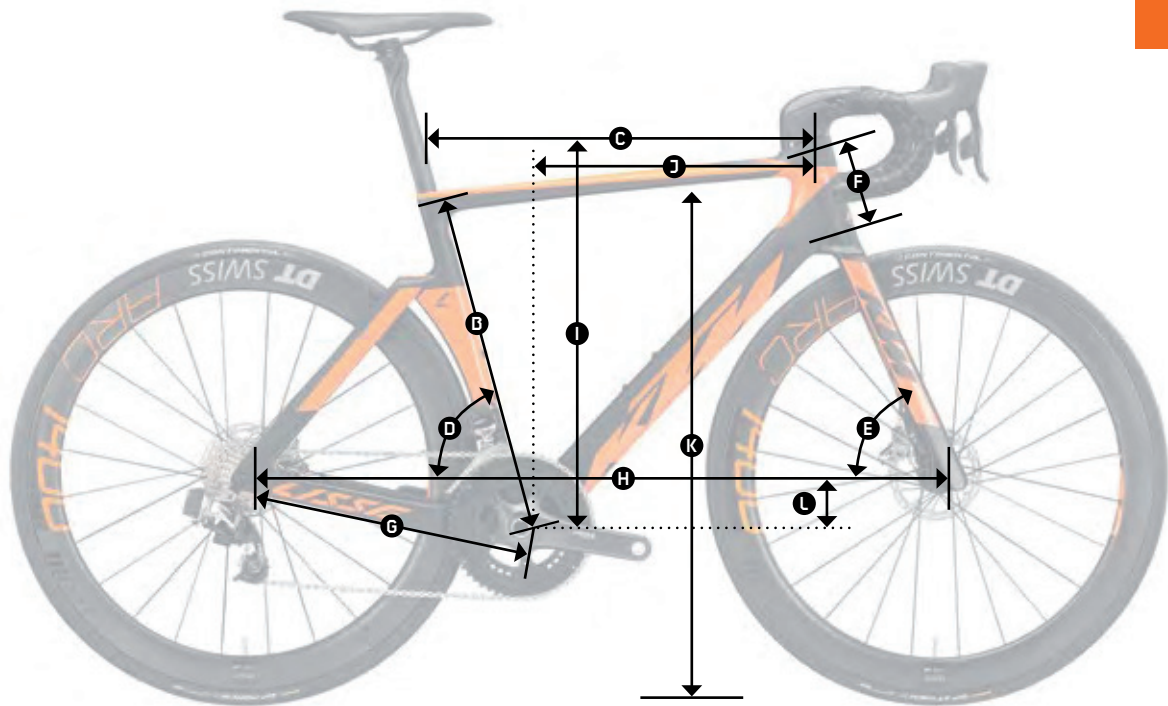
2020



	XS	S	M	L
A Size Size in inch Size in cm	19,5 49	20,5 52	21,5 55	22,5 57
B Seattube length	490	520	550	570
C Tootube length	509	529	550	560
D Seat angle	75,0°	75,0°	74,5°	74,0°
E Head angle	71,0°	71,5°	71,5°	72,0°
F Headtube length	95	100	115	130
G Chainstay length	430	430	430	430
H Wheelbase	998	1013	1029	1030
I Stack	574	581	595	609
J Reach	355	373	385	385
K Standover height	713	716	723	727
L BB drop	72	72	72	70

STRADA 1000

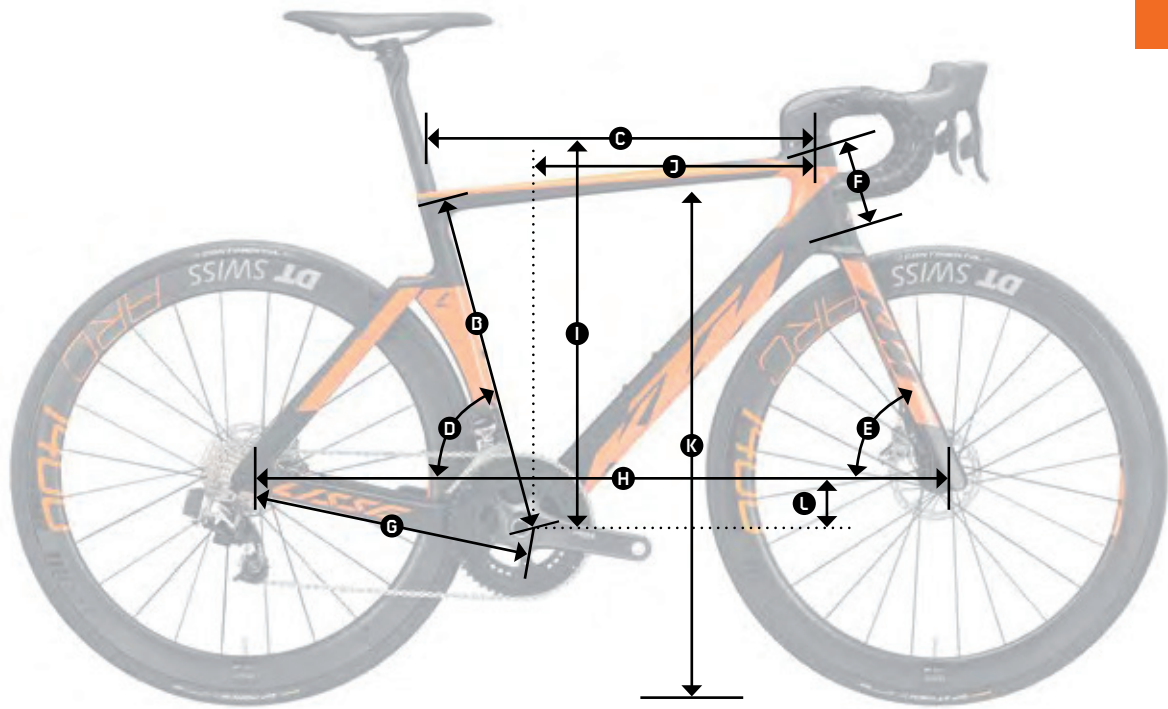
2019



A	Size	XS	S	M	L	XL
	Size in inch	19,5	20,5	21,5	22,5	23,0
	Size in cm	49	52	55	57	59
B	Seattube length	490	520	550	570	590
C	Toptube length	509	529	550	561	572
D	Seat angle	75,0°	75,0°	74,5°	73,5°	73,5°
E	Head angle	72,0°	72,5°	72,5°	73,0°	73,0°
F	Headtube length	130	145	160	175	200
G	Chainstay length	410	410	410	412	412
H	Wheelbase	965	981	997	996	1008
I	Stack	534	551	565	580	601
J	Reach	366	381	393	389	394
K	Standover height	734	757	779	796	819
L	BB drop	72	72	72	70	68

X-STRADA

2019



	Size	S	M	L
A	Size in inch Size in cm	20,5 52	21,5 55	22,5 57
B	Seattube length	520	550	570
C	Toptube length	529	550	561
D	Seat angle	75,0°	74,5°	74,0°
E	Head angle	71,5°	71,5°	72,0°
F	Headtube length	130	145	160
G	Chainstay length	425	425	425
H	Wheelbase	1008	1024	1025
I	Stack	580	594	608
J	Reach	374	385	385
K	Standover height	771	792	810
L	BB drop	72	72	70